

## PARTS CATALOG

Parts for Skytrac,  
CTEC and many  
other lift brands

Questions and order line:  
(801)972-1699 x 313

Email orders & questions:  
Alex McCann,  
Customer Service  
[alexm@skytrac.us](mailto:alexm@skytrac.us)

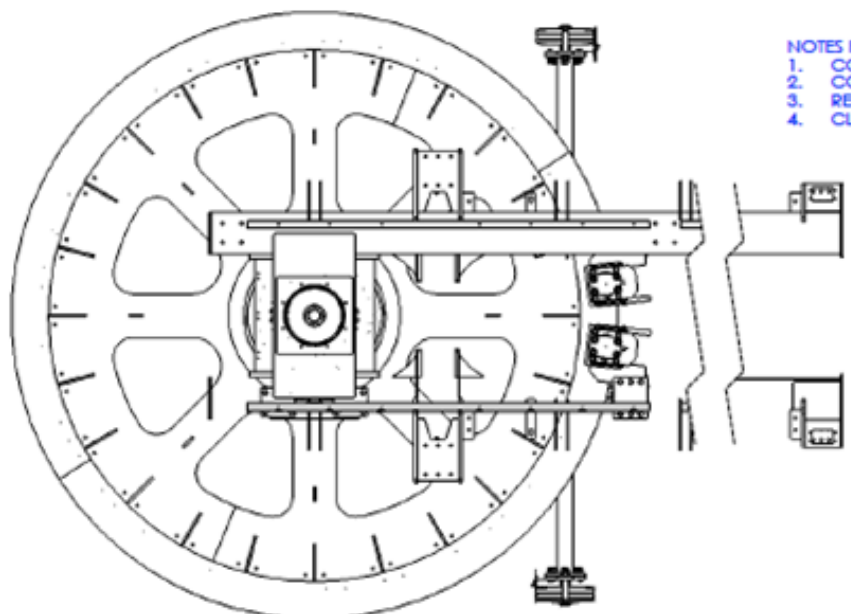
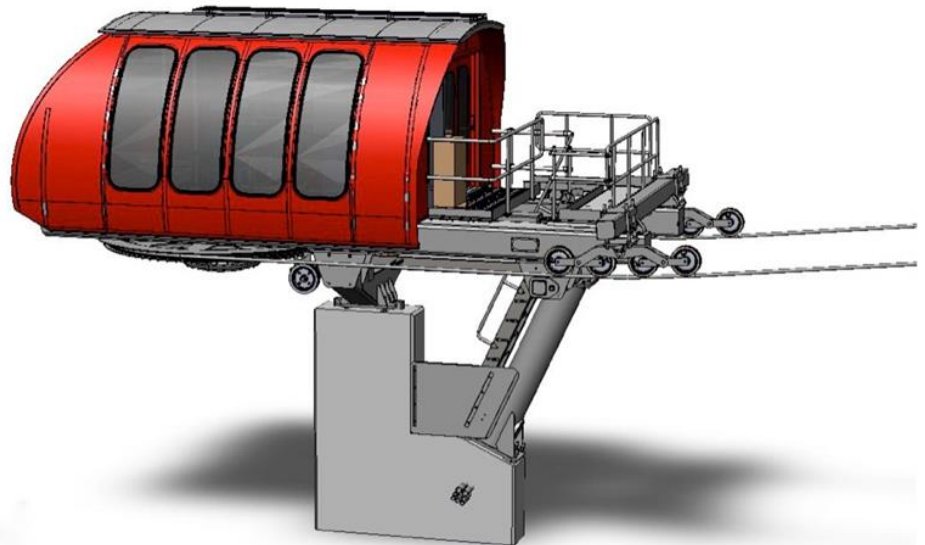
Fax orders:  
801-972-1899

[skytraclifts.com/parts](http://skytraclifts.com/parts)

Prices valid from Feb 2019  
through Feb 2020.  
This is not a complete spare  
parts catalog.  
Before ordering, please  
refer to your original and  
official drawings and parts list  
for original parts numbers.

Prices subject to change  
without notice.

## 2019/2020



# Table of Contents

<b>Product</b>	<b>Page</b>
LCC0213 Investment Casting Grip	<u>6</u>
LCC0215 Investment Casting Grip Body	<u>6</u>
LCC0217 Investment Casting Grip Hook	<u>6</u>
VOL0008 Molylube Anti-Seize for Grip Hook	<u>7</u>
LCC0025 Grip Spring Plate	<u>7</u>
LCC0024 Grip Thrust Washer	<u>7</u>
LCC0218 Grip Tongue for Investment Casting	<u>7</u>
LCC0222 Sand Casting Grip Body 1.25	<u>8</u>
LCC0021A Sand Casting Grip Hook 1.25	<u>8</u>
LCC0027 Grip Tongue for Sand Casting Grip	<u>8</u>
LCC0023 Grip Spring - Outer	<u>9</u>
LCC0022 Grip Spring - Inner	<u>9</u>
VMH0256 Belleville Disc Spring - .773 id x 2.25	<u>9</u>
LCC0026 0.75 Wax Nut	<u>9</u>
LCC0220 Quad Chair	<u>10</u>
LCC0221 Triple Chair	<u>10</u>
VBE0800 Hanger Head Bushing	<u>10</u>
LCC0164 Quad Restraint Bar With Footrest	<u>11</u>
LCC0127 Quad Restraint Bar No Footrest	<u>11</u>
LCC0190 Triple Restraint Bar No Footrest	<u>11</u>
LCC0120 Chair Number Decal	<u>12</u>
VBE1001 Restraint Bar Rod End Bearing	<u>12</u>
LCC0084 Pull Strap Restraint Bar	<u>12</u>
LCC0061 Back Pad Quad Chair	<u>13</u>
LCC0174 Back Pad Triple	<u>13</u>
LCC0124 Seat Pad Quad Chair	<u>13</u>
LCC0173 Seat Pad Triple	<u>13</u>
LTA0069 8 Sheave Support Assembly	<u>14</u>
LTA0113 6 Sheave Support Assembly	<u>14</u>
LTA0121 4 Sheave Support Assembly	<u>14</u>
LTA0195 4-2 Combo Sheave Assembly	<u>14</u>
LTA0195 4-2 Combo Sheave Assembly	<u>15</u>
LTA0101 Marshmallow Spring	<u>15</u>
LTA0227 8 Sheave Frame	<u>15</u>

<b>Product</b>	<b>Page</b>
LTA0118 2 Sheave Saddle	<u>18</u>
LTA0123 4 Sheave axle Keeper Plate	<u>18</u>
VBE1052 Oilite Assembly Bearing - 2 Sheave	<u>19</u>
VBE1053 Olite Assembly Bearing - 4 Sheave	<u>19</u>
VBE1054 Oilite Assembly Bearing - 6 or 8	<u>19</u>
LTA0025 Line Sheave - Roller Bearings 400mm	<u>20</u>
LTA0006 Hub Line Sheave Roller Bearings	<u>20</u>
LTA0015 Sheave Flange Retaining Ring 400mm	<u>20</u>
LTA0199 Line Sheave Ball Bearings 400mm	<u>21</u>
LTA0182 Hub Line Sheave Ball Bearings 400mm	<u>21</u>
VBE0003 Sheave Ball Bearing Sealed	<u>21</u>
LTA0026 Guide Sheave Assembly - 400mm	<u>22</u>
LTA0007 Guide Sheave Hub 400mm	<u>22</u>
VBE1050 Guide Sheave Bushing	<u>22</u>
LBE0078 Guide Sheave Thrust Washer	<u>22</u>
LTA0005 Support Sheave Flange	<u>23</u>
LTA0151 Machined Flange Depress Sheave	<u>23</u>
LTA0141 Sheave Liner Semperit 400mm	<u>23</u>
LTA0003 Sheave Liner Holz 400mm	<u>23</u>
LTA0002 Sheave Roller Bearing Bushing	<u>24</u>
VBE0300 Bearing Cone- Timken Roller Bearing	<u>24</u>
VBE0301 Bearing Cup - Timken Race	<u>24</u>
VBE0600 Sheave Grease Seal	<u>24</u>
LTA0250 Sheave Axle	<u>25</u>
VMH0012 Sheave Axle Nut - Slotted Hex	<u>25</u>
VPN0002 Sheave Axle Cotter Pin .1875 x 2	<u>25</u>
LTA0200 Sheave Ball Bearing Spacer	<u>26</u>
LTA0241 Sheave Ball Bearing End Cap	<u>26</u>
LST00048 Grip Slip Tester	<u>27</u>
LST00006 Sheave Liner Press Tool Kit	<u>27</u>
LCC0098 Work Chair Assembly	<u>27</u>
LST00019 Rope Lifter Tool Package	<u>28</u>
LST00020 Cylinder Rope Saddle	<u>28</u>
LST00021 Rope Lifter Cylinder Base	<u>28</u>
LST00069 Rope Lifter Cylinder Chock	<u>28</u>
VDC0062 Pillow Block - Expansion	<u>29</u>

<b>Product</b>	<b>Page</b>
LDE0077 Skytrac Bullwheel Liner	<u>32</u>
VBC0011 Service Brake Replacement Pads	<u>32</u>
VEC135005 Encoder With Kwik Connect	<u>32</u>
LEH0005 Brittle Bar	<u>33</u>
VEC302005 Brittle Bar Boot	<u>33</u>
VEC122009 24V Phone With Button	<u>33</u>
VEC092010 Large Red Mushroom Push Pull	<u>34</u>
VEC092024 Large Mushroom Push Button	<u>34</u>
VEC092011 Red Push Pull Pushbutton with	<u>34</u>
VEC092012 Red Lockout Push Pull Pushbutton	<u>34</u>
VEC092001 Black Flush Pushbutton	<u>35</u>
VEC092003 Black Long Pushbutton	<u>35</u>
VEC092006 Green Flush Pushbutton 10250T103	<u>35</u>
VEC102001 Indicator Light 10250T206N	<u>36</u>
VEC102002 Green Light Lens	<u>36</u>
VEC102003 Red Light Lens	<u>36</u>
VEC092013 2 Position Selector Switch	<u>37</u>
VEC092014 3 Position Selector Switch	<u>37</u>
VEC092017 Keyed Selector Switch	<u>37</u>
VEC092018 Potentiometer 10250T333	<u>37</u>
VEC092025 Toggle Switch E10T115BS	<u>37</u>
VEC092023 locking Selector Switch Cover	<u>37</u>
VEC092019 Contact Block 1NO 10250T53	<u>37</u>
VEC092020 Contact Block 1NC 10250T51	<u>37</u>
VEC092021 Contact block 2NO 10250T2	<u>37</u>
VEC042005 Fuse 0.5A HCTR-.5	<u>38</u>
VEC042042 Fuse 1.5A HCTR-1.5	<u>38</u>
VEC042037 Fuse 5A HCTR-5	<u>38</u>
VEC042033 Fuse 6A HCTR-6	<u>38</u>
VEC042039 Fuse 7A HCLR-7	<u>38</u>
VEC042006 Fuse 7.5A HCTR-7.5	<u>38</u>
VEC042007 Fuse 10A HCTR-10	<u>38</u>
VEC042008 Fuse 15A HCTR-15	<u>38</u>
VEC042009 Fuse 20A HCTR-20	<u>38</u>
VEC042010 Fuse 30A HCTR-30	<u>39</u>
VEC153001 24VDC 1P Relay Finder	<u>39</u>

<b>Product</b>	<b>Page</b>
VEC151020 Time Delay Relay GT5Y-2SN3D24	<u>40</u>
VEC151019 Time Delay Relay GT5Y-2SN1D24	<u>40</u>
VEC141007 CPU - 30.4K PLC Programmed	<u>41</u>
VEC141028 CTRIO DL205 Counter Card H2-	<u>41</u>
VEC141011 PLC, DL205 Output Card	<u>41</u>
VEC141009 PLC, DL205 Input Card	<u>41</u>
VEC134003 Prox, 22mm for Chairkit	<u>42</u>
VEC181001 Diode Flyback on PC Boards	<u>42</u>
VEC181003 MOV - 31 Volt	<u>42</u>
VEH000802 Adjustable Pressure Switch	<u>43</u>
VEH000800 Pressure Switch, Electronic, 2	<u>43</u>
VEH000113 Solenoid Valve 3 Way	<u>43</u>
VEH000124 Solenoid Valve 2/2 Detent Bypass	<u>44</u>
VEH000114 Directional Valve with Manual Detent	<u>44</u>
VEH000103 Pressure Relief Valve- Tension	<u>44</u>
VEH000102 Pressure Relief Valve - Brakes	<u>44</u>

## LCC0213 Investment Casting Grip

**\$870.00**



LCC0213-C01	1-1/8" Rope Size
LCC0213-C02	1-1/4" Rope Size
LCC0213-C03	1-3/8" Rope Size
LCC0213-C04	1-1/2" Rope Size
LCC0213-C05	1-5/8" Rope Size

## LCC0215 Investment Casting Grip Body

**\$483.00**



LCC0215-C01	1-1/8" Rope Size
LCC0215-C02	1-1/4" Rope Size
LCC0215-C03	1-3/8" Rope Size
LCC0215-C04	1-1/2" Rope Size
LCC0215-C05	1-5/8" Rope Size

## LCC0217 Investment Casting Grip Hook

**\$266.00**



LCC0217-C01	1-1/8" Rope Size
LCC0217-C02	1-1/4" Rope Size
LCC0217-C03	1-3/8" Rope Size
LCC0217-C04	1-1/2" Rope Size
LCC0217-C05	1-5/8" Rope Size



**VOL0008 Molylube Anti-Seize for  
Grip Hook Threads 20oz**

**\$62.00**



**LCC0025 Grip Spring Plate**

**\$9.00**



**LCC0024 Grip Thrust Washer**

**\$7.00**



**LCC0218 Grip Tongue for  
Investment Casting Grip**

**\$17.50**

LCC0218-C01

1-1/8" -- 1-3/8" Rope Size

## **LCC0222 Sand Casting Grip Body 1.25**

**\$459.00**



## **LCC0021A Sand Casting Grip Hook 1.25**

**\$213.00**



## **LCC0027 Grip Tongue for Sand Casting Grip**

**\$24.00**







**LCC0023 Grip Spring - Outer**

**\$42.00**



**LCC0022 Grip Spring - Inner**

**\$22.00**



**VMH0256 Belleville Disc Spring -  
.773 id x 2.25 od x .193 thk -  
stainless st**

**\$7.50**



**LCC0026 0.75 Wax Nut**

**\$1.00**

# LCC0220 Quad Chair

Call For Price



# LCC0221 Triple Chair

Call For Price



# VBE0800 Hanger Head Bushing

\$28.50



## LCC0164 Quad Restraint Bar With Footrest

\$350.00



## LCC0127 Quad Restraint Bar No Footrest

\$221.00



## LCC0190 Triple Restraint Bar No Footrest

\$210.00



## LCC0120 Chair Number Decal

\$4.00



## VBE1001 Restraint Bar Rod End Bearing

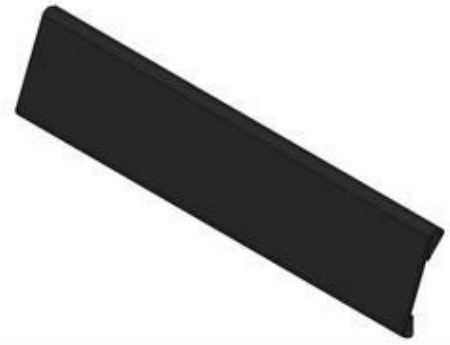
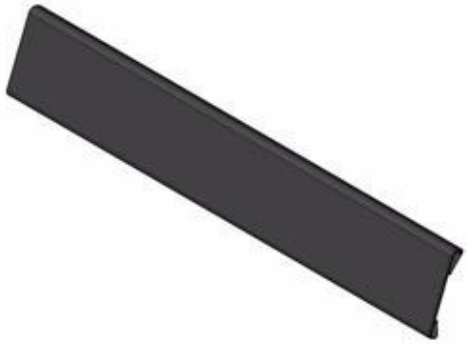
\$8.75



## LCC0084 Pull Strap Restraint Bar

\$5.00





**LCC0061 Back Pad Quad Chair**

**\$96.00**

**LCC0174 Back Pad Triple**

**\$95.00**



**LCC0124 Seat Pad Quad Chair**

**\$97.00**

**LCC0173 Seat Pad Triple**

**\$96.00**



**LTA0069 8 Sheave Support  
Assembly**

Call For Price



**LTA0113 6 Sheave Support  
Assembly**

Call For Price



**LTA0121 4 Sheave Support  
Assembly**

Call For Price



**LTA0195 4-2 Combo Sheave  
Assembly**

Call For Price

# LTA0195 4-2 Combo Sheave Assembly

Call For Price



# LTA0101 Marshmallow Spring

\$164.00



# LTA0227 8 Sheave Frame

\$1,460.00



## LTA0226 6 Sheave Frame

\$1,205.00



## LTA0225 4 Sheave Frame

\$342.00



## LTA0224 2 Sheave frame With Deflector

\$186.00





## **LTA0122 4 Sheave Assembly Axle**

**\$103.00**



## **LTA0120 2 Sheave Assembly Axle**

**\$48.00**



## **LTA0135 2 Sheave axle ( Long for Skytrac 6 Sheave Assembly)**

**\$67.00**





**LTA0137 6 Sheave Assembly Frame  
Spacer**

**\$8.00**



**LTA0136 6 Sheave Saddle**

**\$51.00**



**LTA0118 2 Sheave Saddle**

**\$23.00**



**LTA0123 4 Sheave axle Keeper Plate**

**\$6.00**



**VBE1052 Oilite  
Assembly Bearing - 2  
Sheave Beam**

**\$10.50**



**VBE1053 Olite  
Assembly Bearing - 4  
Sheave Beam**

**\$17.00**



**VBE1054 Oilite  
Assembly Bearing - 6 or  
8 Sheave Beam**

**\$52.00**

# LTA0025 Line Sheave - Roller Bearings 400mm



LTA0025-C01	Holz Liner	\$481.00
LTA0025-C02	Semperit Liner	\$504.00

# LTA0006 Hub Line Sheave Roller Bearings 400mm

\$190.00



# LTA0015 Sheave Flange Retaining Ring 400mm

\$5.50



# LTA0199 Line Sheave Ball Bearings 400mm



LTA0199-C01 Holz Liner \$454.00

LTA0199-C02 Semperit  
Liner \$473.00

# LTA0182 Hub Line Sheave Ball Bearings 400mm

\$204.00



# VBE0003 Sheave Ball Bearing Sealed

\$6.00





**LTA0026 Guide Sheave Assembly -  
400mm**

LTA0026-C01

Holz Liner

\$460.00



**LTA0007 Guide Sheave Hub 400mm**

\$178.00



**VBE1050 Guide Sheave Bushing**

\$7.00



**LBE0078 Guide Sheave Thrust  
Washer**

\$8.50



**LTA0005 Support Sheave Flange**

**\$68.00**



**LTA0151 Machined Flange Depress Sheave**

**\$90.00**



**LTA0141 Sheave Liner Semperit  
400mm**

**\$78.00**



**LTA0003 Sheave Liner Holz 400mm**

**\$60.00**



**LTA0002 Sheave Roller Bearing Bushing**

**\$5.50**



**VBE0300 Bearing Cone- Timken Roller Bearing**

**\$6.75**



**VBE0301 Bearing Cup - Timken Race**

**\$3.25**



**VBE0600 Sheave Grease Seal**

**\$2.50**



## LTA0250 Sheave Axle

\$26.00



## VMH0012 Sheave Axle Nut - Slotted Hex

\$3.50



## VPN0002 Sheave Axle Cotter Pin .1875 x 2

\$0.25



## **LTA0200 Sheave Ball Bearing Spacer**

**\$12.00**



## **LTA0241 Sheave Ball Bearing End Cap**

**\$19.50**



## LST00048 Grip Slip Tester

\$1,673.00



## LST00006 Sheave Liner Press Tool Kit

\$1,781.00



## LCC0098 Work Chair Assembly

\$2,760.00

Not Compatible with all lifts. Call to Inquire.





**LST00019 Rope Lifter Tool Package**

**\$652.00**



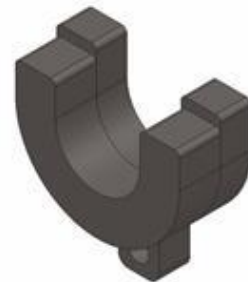
**LST00020 Cylinder Rope Saddle**

**\$31.00**



**LST00021 Rope Lifter Cylinder Base**

**\$71.00**



**LST00069 Rope Lifter Cylinder Chock**

**\$36.50**

## VDC0062 Pillow Block - Expansion

\$621.00



## VDC0061 Pillow Block

\$621.00



## VEH001005 Hydraulic Reservoir - 15 Gallon - 24x16x10.25

\$765.00





## **LDE0141 Rollback Detection Puck Assembly**

**\$34.00**



## **LDE0142 Rollback Detection Puck Wear Block**

**\$13.00**



## **LDE0143 Rollback Detection Puck Steel Disk**

**\$19.00**

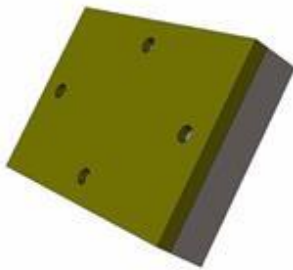
# VBC0001 Bullwheel Brake Hydraulic Cylinder

\$701.00



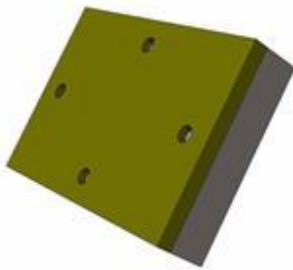
# LBE0050 Upper Brake Pad Assembly Emergency/Rollback

\$222.00



# LBE0048 Lower Brake Pad Assembly Emergency/Rollback

\$222.00



## **LDE0077 Skytrac Bullwheel Liner**

**\$1,141.00**



## **VBC0011 Service Brake Replacement Pads**

**\$191.00**



## **VEC135005 Encoder With Kwik Connect**

**\$879.00**







## LEH0005 Brittle Bar

\$27.00



## VEC302005 Brittle Bar Boot

\$3.00



## VEC122009 24V Phone With Button

\$145.00



**VEC092010 Large Red Mushroom  
Push Pull Button with Contactor  
10250T5J62-1X**

**\$99.00**



**VEC092024 Large Mushroom Push  
Button Shroud**

**\$52.00**



**VEC092011 Red Push Pull  
Pushbutton with Contactor**

**\$76.50**



**VEC092012 Red Lockout Push Pull  
Pushbutton**

**\$78.50**



## **VEC092001 Black Flush Pushbutton**

**\$22.50**



## **VEC092003 Black Long Pushbutton**

**\$22.50**



## **VEC092006 Green Flush Pushbutton 10250T103**

**\$22.50**



## **VEC102001 Indicator Light 10250T206N**

**\$63.00**



## **VEC102002 Green Light Lens**

**\$6.00**



## **VEC102003 Red Light Lens**

**\$6.00**



**VEC092013 2 Position Selector Switch**

\$31.00



**VEC092014 3 Position Selector Switch**

\$27.00



**VEC092017 Keyed Selector Switch**

\$98.50



**VEC092018 Potentiometer 10250T333**

\$165.00



**VEC092025 Toggle Switch E10T115BS**

\$11.25



**VEC092023 locking Selector Switch Cover**

\$25.00



**VEC092019 Contact Block 1NO 10250T53**

\$12.50



**VEC092020 Contact Block 1NC 10250T51**

\$12.00



**VEC092021 Contact block 2NO 10250T2**

\$24.00



**VEC042005 Fuse 0.5A HCTR-.5**

\$12.00



**VEC042042 Fuse 1.5A HCTR-1.5**

\$12.50



**VEC042037 Fuse 5A HCTR-5**

\$13.50



**VEC042033 Fuse 6A HCTR-6**

\$14.50



**VEC042039 Fuse 7A HCLR-7**

\$12.75



**VEC042006 Fuse 7.5A HCTR-7.5**

\$12.00



**VEC042007 Fuse 10A HCTR-10**

\$13.50



**VEC042008 Fuse 15A HCTR-15**

\$11.50



**VEC042009 Fuse 20A HCTR-20**

\$12.00



**VEC042010 Fuse 30A HCTR-30**

\$12.00



**VEC153001 24VDC 1P Relay  
Finder 34.51.7.024.0010**

\$7.00



**VEC151002 24VDC 1P Relay  
RHIB-ULD-DC24V**

\$14.00



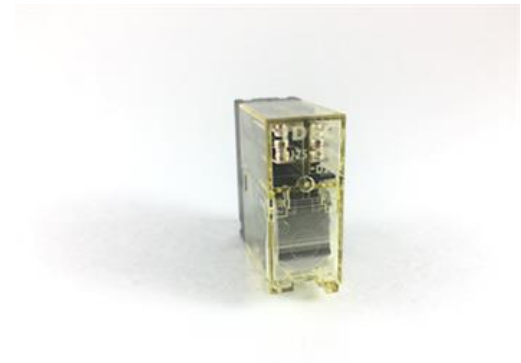
**VEC151001 24VDC 1P Relay  
RJ1S-CLD-D24**

\$11.00



**VEC151005 24VDC-4P Relay  
RY4S-ULD-DC24V**

\$14.50



**VEC151003 24VDC 2P Relay  
RJ2S-CLD-D24**

\$10.50



**VEC151008 120VAC 2P RELAY  
RJ2S-CL-A120**

\$12.00



**VEC151021 120VAC 4P Relay  
RY4S-ULAC110-120V**

\$13.00



**VEC152006 120VAC 4P RELAY  
QL4N1-A120**

\$18.00





## VEC151016 Time Delay Relay GT3F-2EAD24

\$92.00



## VEC151020 Time Delay Relay GT5Y-2SN3D24

\$41.00



## VEC151019 Time Delay Relay GT5Y-2SN1D24

\$43.00







## **VEC134003 Prox, 22mm for Chairkit**

**\$160.50**



## **VEC181001 Diode Flyback on PC Boards**

**\$0.20**



## **VEC181003 MOV - 31 Volt**

**\$2.00**



## VEH000802 Adjustable Pressure Switch

\$132.00



## VEH000800 Pressure Switch, Electronic, 2 Output

\$332.00



## VEH000113 Solenoid Valve 3 Way

\$154.00



**VEH000124 Solenoid Valve 2/2  
Detent Bypass**

**\$75.00**



**VEH000114 Directional Valve with  
Manual Detent**

**\$238.00**



**VEH000103 Pressure Relief Valve-  
Tension**

**\$58.00**



**VEH000102 Pressure Relief Valve -  
Brakes**

**\$66.00**



## Price List

### Bullwheel Equipment

LBE0048 Lower Brake Pad Assembly Emergency/Rollback	\$222.00
LBE0050 Upper Brake Pad Assembly Emergency/Rollback	\$222.00
LBE0078 Guide Sheave Thrust Washer	\$8.50
LBE0085 Guide Sheave Brittle Bar Bracket	\$49.00
LDE0077 Skytrac Bullwheel Liner	\$1,141.00
LDE0141 Rollback Detection Puck Assembly	\$34.00
LDE0142 Rollback Detection Puck Wear Block	\$13.00
LDE0143 Rollback Detection Puck Steel Disk	\$19.00
VBC0001 Bullwheel Brake Hydraulic Cylinder	\$701.00

### Chairs/Carriers



LCC0021A Sand Casting Grip Hook 1.25	\$213.00
LCC0022 Grip Spring - Inner	\$22.00
LCC0023 Grip Spring - Outer	\$42.00
LCC0024 Grip Thrust Washer	\$7.00
LCC0025 Grip Spring Plate	\$9.00
LCC0026 0.75 Wax Nut	\$1.00
LCC0027 Grip Tongue for Sand Casting Grip	\$24.00
LCC0061 Back Pad Quad Chair	\$96.00
LCC0084 Pull Strap Restraint Bar	\$5.00
LCC0120 Chair Number Decal	\$4.00
LCC0124 Seat Pad Quad Chair	\$97.00
LCC0127 Quad Restraint Bar No Footrest	\$221.00
LCC0164 Quad Restraint Bar With Footrest	\$350.00
LCC0173 Seat Pad Triple	\$96.00
LCC0174 Back Pad Triple	\$95.00
LCC0190 Triple Restraint Bar No Footrest	\$210.00
LCC0213 Investment Casting Grip	\$870.00



LCC0215 Investment Casting Grip Body	\$483.00
LCC0217 Investment Casting Grip Hook	\$266.00
LCC0218 Grip Tongue for Investment Casting Grip	\$17.50
LCC0220 Quad Chair	
LCC0221 Triple Chair	
LCC0222 Sand Casting Grip Body 1.25	\$459.00
VBE0800 Hanger Head Bushing	\$28.50
VBE1001 Restraint Bar Rod End Bearing	\$8.75
VMH0256 Belleville Disc Spring - .773 id x 2.25 od x .193 thk - stainless st	\$7.50
VOL0008 Molylube Anti-Seize for Grip Hook Threads 20oz	\$62.00

## Drive Equipment

VBC0011 Service Brake Replacement Pads	\$191.00
VDC0061 Pillow Block	\$621.00



VDC0062 Pillow Block - Expansion	\$621.00
VDC0211 Falk Wrapflex Coupling Link Element	\$85.00
VDC0212 Falk Wrapflex Coupling Cover	\$43.00

## Electric and Hydraulic

LEH0005 Brittle Bar	\$27.00
VECO42005 Fuse 0.5A HCTR-.5	\$12.00
VECO42006 Fuse 7.5A HCTR-7.5	\$12.00
VECO42007 Fuse 10A HCTR-10	\$13.50
VECO42008 Fuse 15A HCTR-15	\$11.50
VECO42009 Fuse 20A HCTR-20	\$12.00
VECO42010 Fuse 30A HCTR-30	\$12.00
VECO42033 Fuse 6A HCTR-6	\$14.50
VECO42037 Fuse 5A HCTR-5	\$13.50
VECO42039 Fuse 7A HCLR-7	\$12.75
VECO42042 Fuse 1.5A HCTR-1.5	\$12.50
VECO92001 Black Flush Pushbutton	\$22.50
VECO92003 Black Long Pushbutton	\$22.50





VEC092006 Green Flush Pushbutton 10250T103	\$22.50
VEC092010 Large Red Mushroom Push Pull Button with Contactor 10250T5J62-1X	\$99.00
VEC092011 Red Push Pull Pushbutton with Contactor	\$76.50
VEC092012 Red Lockout Push Pull Pushbutton	\$78.50
VEC092013 2 Position Selector Switch	\$31.00
VEC092014 3 Position Selector Switch	\$27.00
VEC092017 Keyed Selector Switch	\$98.50
VEC092018 Potentiometer 10250T333	\$165.00
VEC092019 Contact Block 1NO 10250T53	\$12.50
VEC092020 Contact Block 1NC 10250T51	\$12.00
VEC092021 Contact block 2NO 10250T2	\$24.00
VEC092023 locking Selector Switch Cover	\$25.00



VEC092024 Large Mushroom Push Button Shroud	\$52.00
VEC092025 Toggle Switch E10T115BS	\$11.25
VEC102001 Indicator Light 10250T206N	\$63.00
VEC102002 Green Light Lens	\$6.00
VEC102003 Red Light Lens	\$6.00
VEC122009 24V Phone With Button	\$145.00
VEC134003 Prox, 22mm for Chairkit	\$160.50
VEC135005 Encoder With Kwik Connect	\$879.00
VEC141007 CPU - 30.4K PLC Programmed	\$572.00
VEC141009 PLC, DL205 Input Card	\$189.00
VEC141011 PLC, DL205 Output Card	\$194.00
VEC141028 CTRIO DL205 Counter Card H2-CTRIO2	\$437.00
VEC151001 24VDC 1P Relay RJ15- CLD-D24	\$11.00
VEC151002 24VDC 1P Relay RHIB- ULD-DC24V	\$14.00



VEC151003 24VDC 2P Relay RJ25-CLD-D24	\$10.50
VEC151005 24VDC-4P Relay RY45-ULD-DC24V	\$14.50
VEC151008 120VAC 2P RELAY RJ25-CL-A120	\$12.00
VEC151016 Time Delay Relay GT3F-2EAD24	\$92.00
VEC151019 Time Delay Relay GT5Y-2SN1D24	\$43.00
VEC151020 Time Delay Relay GT5Y-2SN3D24	\$41.00
VEC151021 120VAC 4P Relay RY45-ULAC110-120V	\$13.00
VEC152006 120VAC 4P RELAY QL4N1-A120	\$18.00
VEC153001 24VDC 1P Relay Finder 34.51.7.024.0010	\$7.00
VEC181001 Diode Flyback on PC Boards	\$0.20
VEC181003 MOV - 31 Volt	\$2.00
VEC302005 Brittle Bar Boot	\$3.00
VEH000102 Pressure Relief Valve - Brakes	\$66.00



VEH000103 Pressure Relief Valve-Tension	\$58.00
VEH000113 Solenoid Valve 3 Way	\$154.00
VEH000114 Directional Valve with Manual Detent	\$238.00
VEH000124 Solenoid Valve 2/2 Detent Bypass	\$75.00
VEH000800 Pressure Switch, Electronic, 2 Output	\$332.00
VEH000802 Adjustable Pressure Switch	\$132.00

## Spares and Tools

LCC0098 Work Chair Assembly	\$2,760.00
LST00006 Sheave Liner Press Tool Kit	\$1,781.00
LST00019 Rope Lifter Tool Package	\$652.00
LST00020 Cylinder Rope Saddle	\$31.00
LST00021 Rope Lifter Cylinder Base	\$71.00
LST00048 Grip Slip Tester	\$1,673.00
LST00069 Rope Lifter Cylinder Chock	\$36.50



## Tower Assemblies

LTA0002 Sheave Roller Bearing Bushing	\$5.50
LTA0003 Sheave Liner Holz 400mm	\$60.00
LTA0005 Support Sheave Flange	\$68.00
LTA0006 Hub Line Sheave Roller Bearings 400mm	\$190.00
LTA0007 Guide Sheave Hub 400mm	\$178.00
LTA0015 Sheave Flange Retaining Ring 400mm	\$5.50
LTA0025 Line Sheave - Roller Bearings 400mm	
LTA0026 Guide Sheave Assembly - 400mm	
LTA0069 8 Sheave Support Assembly	
LTA0101 Marshmallow Spring	\$164.00
LTA0113 6 Sheave Support Assembly	
LTA0118 2 Sheave Saddle	\$23.00
LTA0120 2 Sheave Assembly Axle	\$48.00



LTA0121 4 Sheave Support Assembly	
LTA0122 4 Sheave Assembly Axle	\$103.00
LTA0123 4 Sheave axle Keeper Plate	\$6.00
LTA0135 2 Sheave axle ( Long for Skytrac 6 Sheave Assembly)	\$67.00
LTA0136 6 Sheave Saddle	\$51.00
LTA0137 6 Sheave Assembly Frame Spacer	\$8.00
LTA0141 Sheave Liner Semperit 400mm	\$78.00
LTA0151 Machined Flange Depress Sheave	\$90.00
LTA0182 Hub Line Sheave Ball Bearings 400mm	\$204.00
LTA0195 4-2 Combo Sheave Assembly	
LTA0199 Line Sheave Ball Bearings 400mm	
LTA0200 Sheave Ball Bearing Spacer	\$12.00
LTA0223 2 Sheave Frame Without Deflector	\$153.00



LTA0224 2 Sheave frame With Deflector	\$186.00
LTA0225 4 Sheave Frame	\$342.00
LTA0226 6 Sheave Frame	\$1,205.00
LTA0227 8 Sheave Frame	\$1,460.00
LTA0241 Sheave Ball Bearing End Cap	\$19.50
LTA0250 Sheave Axle	\$26.00
VBE0003 Sheave Ball Bearing Sealed	\$6.00
VBE0300 Bearing Cone- Timken Roller Bearing	\$6.75
VBE0301 Bearing Cup - Timken Race	\$3.25
VBE0600 Sheave Grease Seal	\$2.50
VBE1050 Guide Sheave Bushing	\$7.00
VBE1052 2 Sheave Assembly Bushing	\$10.50
VBE1052 Oilite Assembly Bearing - 2 Sheave Beam	\$10.50
VBE1053 Olite Assembly Bearing - 4 Sheave Beam	\$17.00
VBE1054 Oilite Assembly Bearing - 6 or 8 Sheave Beam	\$52.00



VEH001005 Hydraulic Reservoir - 15 Gallon - 24x16x10.25	\$765.00
VMH0012 Sheave Axle Nut - Slotted Hex	\$3.50
VPN0002 Sheave Axle Cotter Pin .1875 x 2	\$0.25